

# Cedar Hill Road @ North Dairy Road

Thursday, February 23, 2017

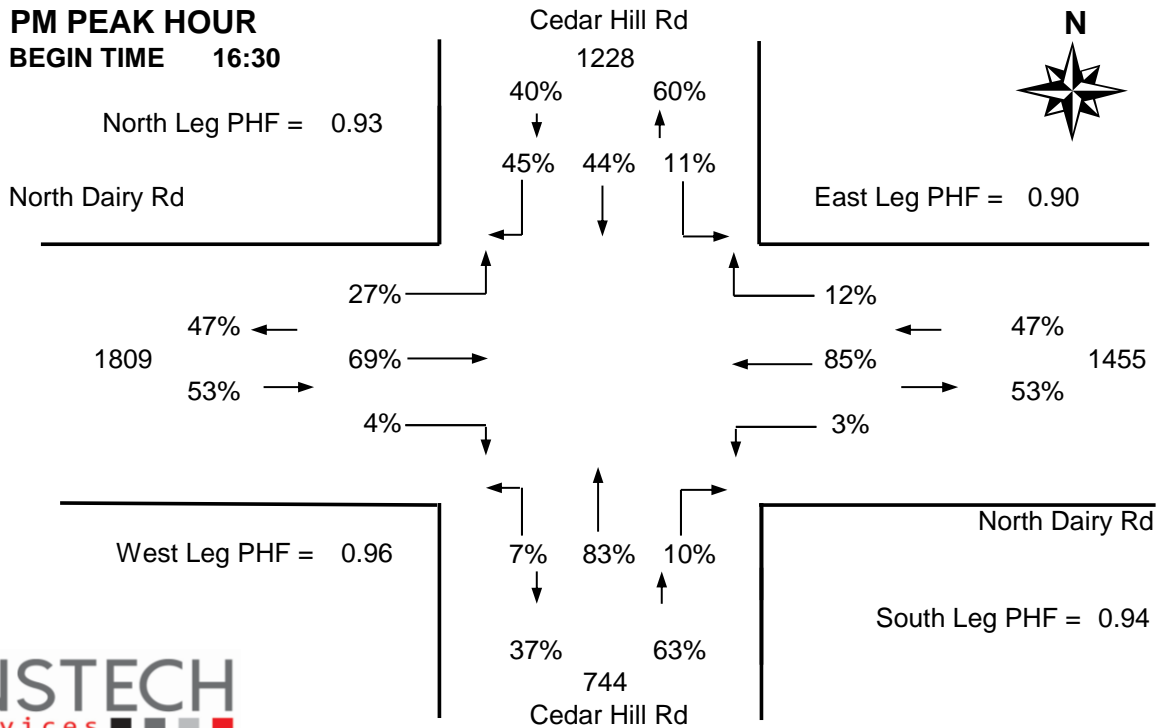
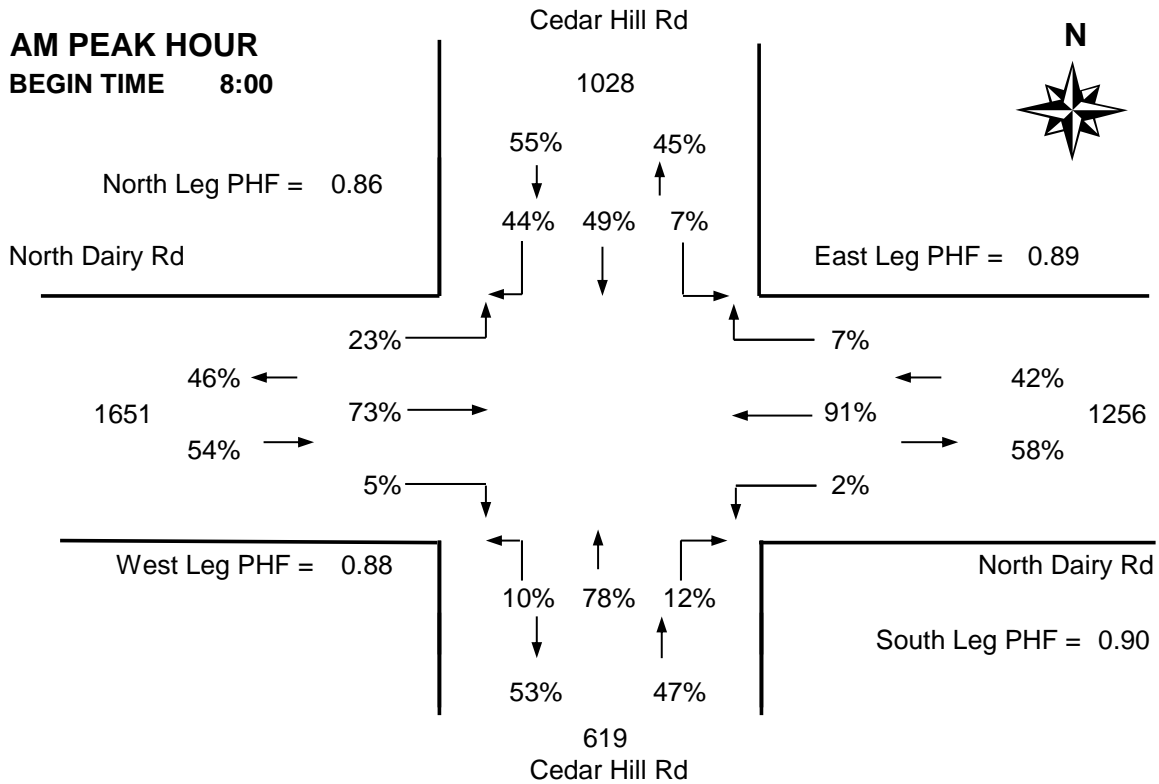


The data presented here is for information purposes only and should not be considered authoritative for construction, geotechnical, engineering, navigational, legal, or other site-specific uses. The information shared is owned by the Transportation Division of the Engineering Department at the District of Saanich. Accuracy is not guaranteed.

# DISTRICT OF SAANICH 2017 TRAFFIC COUNTS

**Major Route:** Cedar Hill Road  
**Minor Route:** North Dairy Road  
**Date:** Thursday, February 23, 2017  
**Filename:** Cedar Hill@North Dairy-Feb23-2017.xls

**Station #:** TIN000049  
**Intersection Type:** 4-leg  
**East/West Route:** North Dairy Road  
**Weather:** Clear and dry



# DISTRICT OF SAANICH 2017 TRAFFIC COUNTS

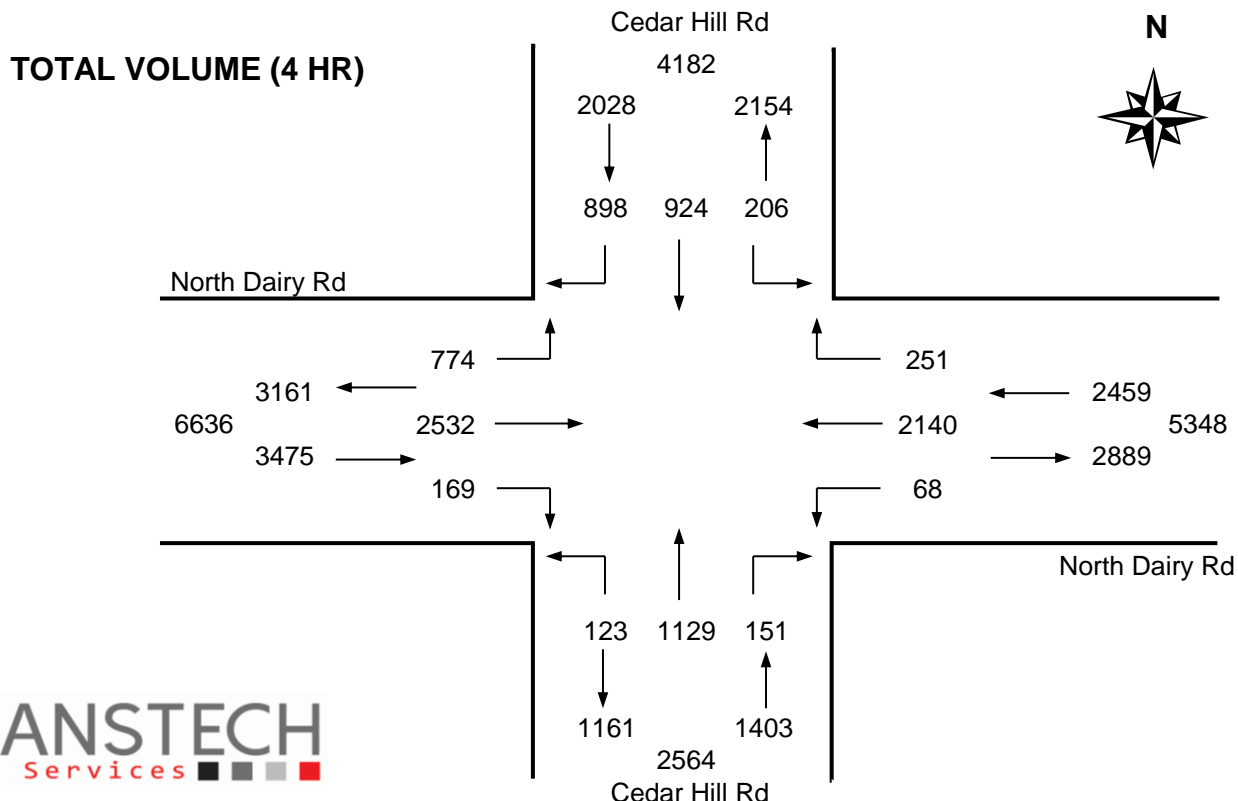
**Major Route:** Cedar Hill Road  
**Minor Route:** North Dairy Road  
**Date:** Thursday, February 23, 2017  
**Filename:** Cedar Hill@North Dairy-Feb23-2017.xls

**Station #:** TIN000049  
**Intersection Type:** 4-leg  
**East/West Route:** North Dairy Road  
**Weather:** Clear and dry

**Comments:**

**Vehicle Data**

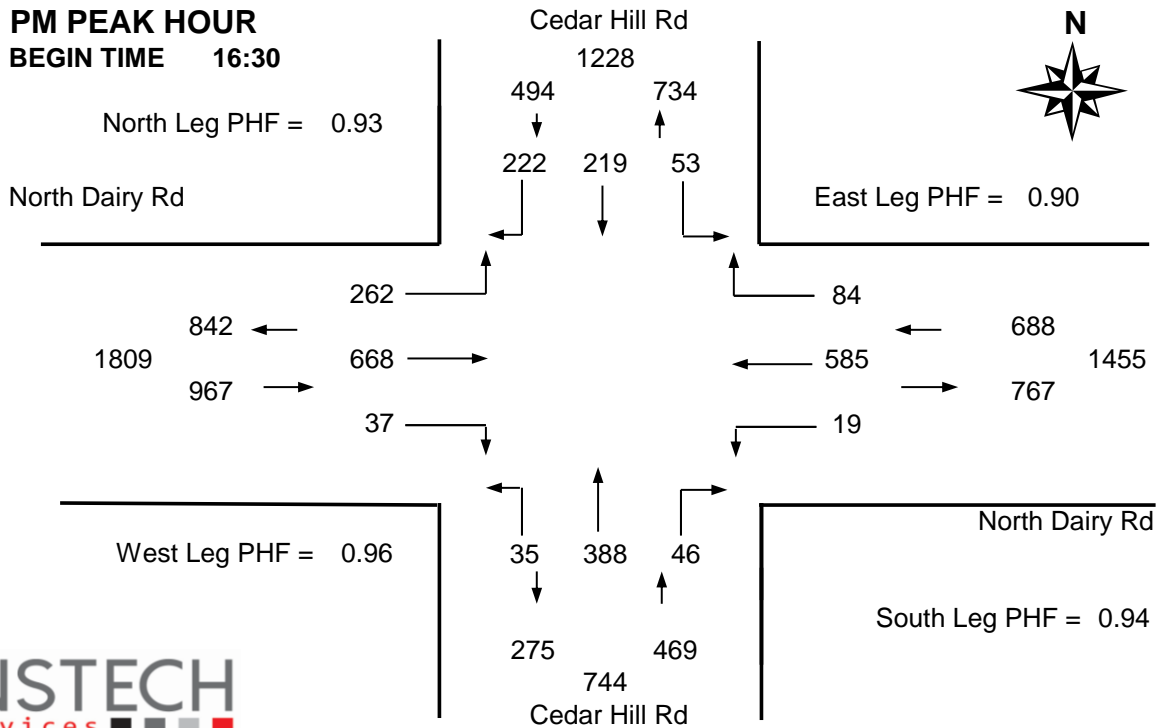
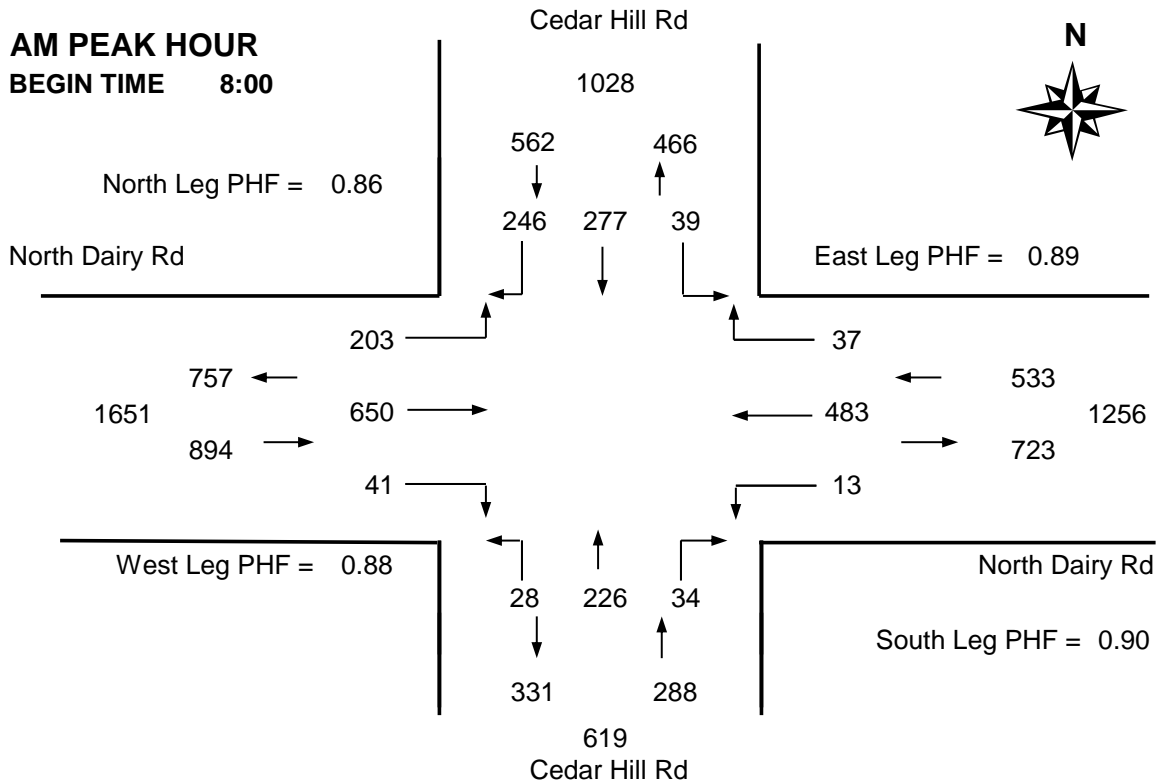
Time Period Starting	Cedar Hill Rd			Cedar Hill Rd			North Dairy Rd			North Dairy Rd			15 Min Total	Hourly Total	Pedestrians			
	From North			From South			From West			From East					N	S	W	E
	Left	Thru	Right	Left	Thru	Right	Left	Thru	Right	Left	Thru	Right						
7:30	14	60	57	3	37	4	20	133	6	2	107	3	446	-	6	1	4	1
7:45	6	60	56	5	58	6	24	153	9	1	94	9	481	-	3	7	4	1
8:00	1	55	60	3	50	9	45	163	11	3	113	7	520 *	-	1	1	1	0
8:15	16	64	56	5	61	5	56	138	12	1	138	11	563 *	2010	1	7	7	11
8:30	11	77	58	13	55	12	41	169	6	3	124	7	576 *	2140	0	1	2	0
8:45	11	81	72	7	60	8	61	180	12	6	108	12	618 +	2277	2	2	4	0
9:00	22	44	46	3	37	7	34	183	9	8	99	13	505	2262	4	3	7	7
9:15	15	72	56	7	51	2	31	164	11	3	90	12	514	2213	1	5	2	0
<b>Total</b>	<b>96</b>	<b>513</b>	<b>461</b>	<b>46</b>	<b>409</b>	<b>53</b>	<b>312</b>	<b>1283</b>	<b>76</b>	<b>27</b>	<b>873</b>	<b>74</b>	<b>4223</b>	-	<b>18</b>	<b>27</b>	<b>31</b>	<b>20</b>
<b>Pk Hr</b>	<b>39</b>	<b>277</b>	<b>246</b>	<b>28</b>	<b>226</b>	<b>34</b>	<b>203</b>	<b>650</b>	<b>41</b>	<b>13</b>	<b>483</b>	<b>37</b>	<b>2277 *</b>	-	<b>4</b>	<b>11</b>	<b>14</b>	<b>11</b>
<b>Pk Hr Factor</b>	0.61	0.85	0.85	0.54	0.93	0.71	0.83	0.90	0.85	0.54	0.88	0.77	0.92	* = Peak hour + = Peak 15 minutes				
	<b>0.86</b>			<b>0.90</b>			<b>0.88</b>			<b>0.89</b>								
15:30	16	45	55	10	63	11	35	139	23	5	179	24	605	-	2	9	11	5
15:45	17	52	61	16	89	12	62	151	9	4	171	15	659	-	1	3	5	3
16:00	10	46	57	4	80	13	45	140	15	8	171	24	613	-	2	7	7	2
16:15	14	49	42	12	100	16	58	151	9	5	161	30	647	2524	9	7	13	0
16:30	16	51	58	9	90	7	51	180	5	5	161	25	658 *	2577	5	2	5	7
16:45	10	46	51	8	99	10	69	169	7	5	149	15	638 *	2556	4	6	4	2
17:00	11	58	60	10	94	17	66	157	11	2	134	25	645 *	2588	6	7	8	3
17:15	16	64	53	8	105	12	76	162	14	7	141	19	677 +	2618	7	8	5	5
<b>Total</b>	<b>110</b>	<b>411</b>	<b>437</b>	<b>77</b>	<b>720</b>	<b>98</b>	<b>462</b>	<b>1249</b>	<b>93</b>	<b>41</b>	<b>1267</b>	<b>177</b>	<b>5142</b>	-	<b>36</b>	<b>49</b>	<b>58</b>	<b>27</b>
<b>Pk Hr</b>	<b>53</b>	<b>219</b>	<b>222</b>	<b>35</b>	<b>388</b>	<b>46</b>	<b>262</b>	<b>668</b>	<b>37</b>	<b>19</b>	<b>585</b>	<b>84</b>	<b>2618 *</b>	-	<b>22</b>	<b>23</b>	<b>22</b>	<b>17</b>
<b>Pk Hr Factor</b>	0.83	0.86	0.93	0.88	0.92	0.68	0.86	0.93	0.66	0.68	0.91	0.84	0.97					
	<b>0.93</b>			<b>0.94</b>			<b>0.96</b>			<b>0.90</b>								



# DISTRICT OF SAANICH 2017 TRAFFIC COUNTS

**Major Route:** Cedar Hill Road  
**Minor Route:** North Dairy Road  
**Date:** Thursday, February 23, 2017  
**Filename:** Cedar Hill@North Dairy-Feb23-2017.xls

**Station #:** TIN000049  
**Intersection Type:** 4-leg  
**East/West Route:** North Dairy Road  
**Weather:** Clear and dry



# DISTRICT OF SAANICH 2017 TRAFFIC COUNTS

**Major Route:** Cedar Hill Road  
**Minor Route:** North Dairy Road  
**Date:** Thursday, February 23, 2017  
**Filename:** Cedar Hill@North Dairy-Feb23-2017.xls

**Station #:** TIN000049  
**Intersection Type:** 4-leg  
**East/West Route:** North Dairy Road  
**Weather:** Clear and dry

**Comments:**

### Bicycle Data

Time Period Starting	Cedar Hill Rd			Cedar Hill Rd			North Dairy Rd			North Dairy Rd			15 Min Total	Hourly Total
	From North			From South			From West			From East				
	Left	Thru	Right	Left	Thru	Right	Left	Thru	Right	Left	Thru	Right		
7:30	0	3	2	0	0	0	0	1	0		3	0	9	-
7:45	0	2	0	0	1	1	0	3	0		2	0	9 *	-
8:00	0	4	2	0	0	0	0	3	0		4	0	13 +	-
8:15	0	2	0	0	5	0	0	4	0		1	1	13 *	44
8:30	0	5	3	0	0	0	0	3	0		1	0	12 *	47
8:45	0	1	0	0	1	0	0	1	0		2	0	5	43
9:00	0	1	1	0	1	0	0	0	0		2	1	6	36
9:15	0	0	1	0	0	0	0	2	0		7	0	10	33
<b>Total</b>	<b>0</b>	<b>18</b>	<b>9</b>	<b>0</b>	<b>8</b>	<b>1</b>	<b>0</b>	<b>17</b>	<b>0</b>	<b>0</b>	<b>22</b>	<b>2</b>	<b>77</b>	<b>-</b>
Pk Hr	0	13	5	0	6	1	0	13	0	0	8	1	47 *	-
15x4	0	20	12	0	20	0	0	16	0	0	16	4	88 +	-

15:30	0	0	0	0	0	0	1	2	0		1	0	4	-
15:45	0	0	0	0	1	0	0	2	0		2	1	6	-
16:00	0	0	0	0	2	1	1	0	0		6	0	10	-
16:15	0	1	1	0	1	0	0	2	0		1	0	6	26
16:30	0	0	0	0	1	0	0	3	0		3	0	7 *	29
16:45	0	0	0	0	1	1	0	6	0		4	0	12 *	35
17:00	1	2	0	1	0	0	1	9	0		3	0	17 +	42
17:15	0	1	0	0	5	0	0	2	1		2	2	13 *	49
<b>Total</b>	<b>1</b>	<b>4</b>	<b>1</b>	<b>1</b>	<b>11</b>	<b>2</b>	<b>3</b>	<b>26</b>	<b>1</b>	<b>0</b>	<b>22</b>	<b>3</b>	<b>75</b>	<b>-</b>
Pk Hr	1	3	0	1	7	1	1	20	1	0	12	2	49 *	-
15x4	4	16	4	4	44	8	12	104	4	0	88	12	300 +	-

4 Hr	1	22	10	1	19	3	3	43	1	0	44	5	152	304
------	---	----	----	---	----	---	---	----	---	---	----	---	-----	-----

### PEAK HOUR SUMMARY

